

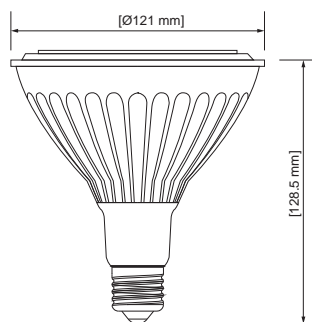
25W

## APPLICATIONS

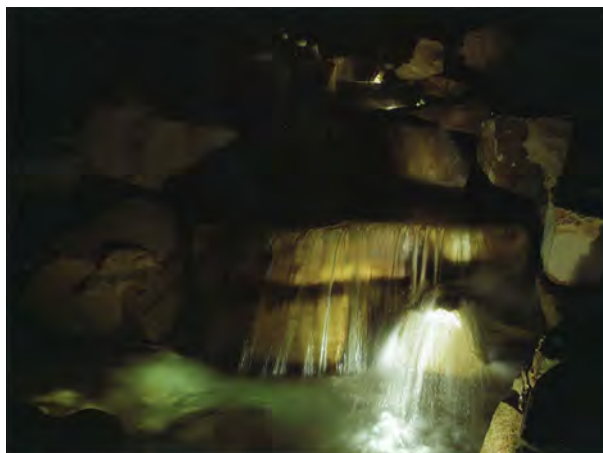
Stores, Stage, Public construction etc.

## FEATURES

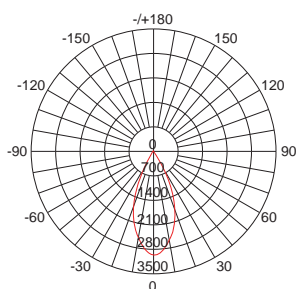
- Adopt ROHS rated raw materials, low carbon emission and reutilization available, make better healthy life.
- Wonderful dimming performance. High quality and good price.
- Moistureproof, salt mist proof, mildewproof, IP67.
- No screw design is without screws.
- **Directly replace of metal halide lamp 100W.**



## SPECIFICATIONS



Model No.	SD26A		
CCT	3000K	4000K	5500K
Lumen (+/-10%)	1,650 lm	1,750 lm	1,900 lm
Efficacy	>66 lm/W	>70 lm/W	>76 lm/W
CRI	>80	>75	>70
Power consumption	25W		
Voltage	230V AC		
Power Factor	0.9		
LED Type	CREE XB-D		
Beam Angle	24°, 38°, 90°		
Operation Temp.	-20°C~+40°C		
Dimmable	Yes		
Water Proof	IP67		
Base Type	E27		
Dimension	Ø121 x 128.5(H) mm		



AVERAGE BEAM ANGLE (50%) : 37.4 DEG

1m	3139 lx	67.50 cm
2m	784.8 lx	134.00 cm
3m	348.8 lx	202.50 cm
4m	196.2 lx	270.00 cm
5m	125.6 lx	337.50 cm

High Emax Angle : 37.29 deg Diameter